

# MANUAL CALL POINT WITH SELFVERIFY - BF-501

## Interactive fire detection systems Product Datasheet

### Features

- Manual call point for use in harsh environmental conditions
- Weatherproof
- Corrosion resistant GRP
- Protection degree IP66
- Short circuit isolator in each unit
- Automatic addressing
- Proven technology
- With SelfVerify function for reduced maintenance/testing and increased reliability
- Designed to meet the requirement of the major maritime classification societies

### Applications

BF-501 is a manual call point for use in harsh environmental conditions. The call point has been designed for use with Autronica's interactive fire detection systems, and comprises the SelfVerify function. This function ensures the highest grade of reliability and the lowest degree of manual testing, because all units comprising this function are automatically self-tested once every 24 hours.

The high IP degree and mechanical strength of the enclosure make the call point suitable for outdoor applications in industrial, maritime and offshore installations.

There is also a BF-501/N version for use in hazardous area zone 2. It must be connected to the BSD-310/N loop driver, but does not require an isolator/barrier unit.

The call point must be installed according to local regulations, which normally means along escape routes, landings and exits.

### Principle

- Break glass element
- Reset when a new glass is mounted

**SelfVerify:** The call point's ability to initiate alarms is regularly checked.



### Versions

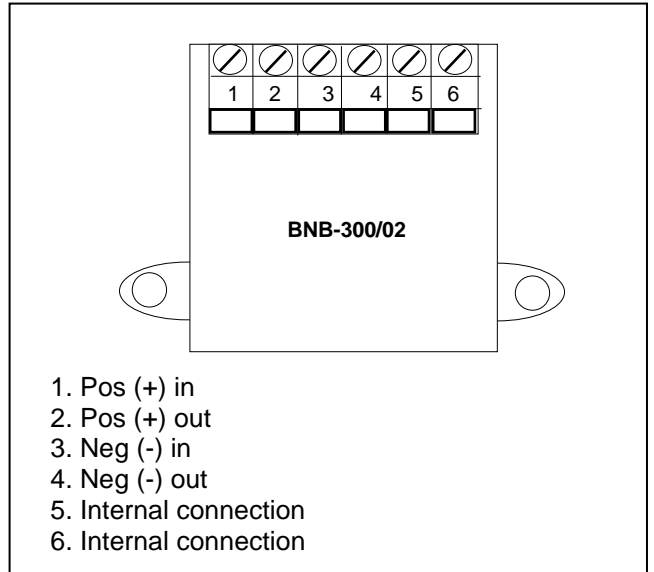
- BF-501 Manual call point with SelfVerify
- BF-501/EX\* Manual call point with SelfVerify Ex ia version for use in zone 0, 1 and 2
- BF-501/N\* Manual call point with SelfVerify Ex ic version for use in zone 2 only

\*See separate data sheet

Technical specifications	
Weight	1,2 kg
Material	Glass, Reinforced polyester
Colour	Red
Voltage	10 - 27 VDC
Current consumption Stand by:	0,3mA
Environm. requirement	EN 54
Degree of protection	IP66
Working temperature	-25 - +70°C
Cable inlets	2 x M20, 2 glands included
Maintenance	Replace broken glass
Service	Replace if faulty
Approvals	See website

Part number	Description
116-BF-501	Manual call point with 2 glands (type 116-6571-011.1920)
<b>Accessories</b>	
116-6571-011.1920	GLAND ST M20X1,5 PG13,5 (1 pcs)
116-4890-022.0001	Lift flap PC
116-4890-022.0010	Lift flap SS

### Connections



### Dimensions

